

FOR TOP OR SIDE FIXTURE MOUNTING

The following information illustrates the correct way to enter an order for CFA4M08WXM1XG. The ordering designation is detailed as follows.

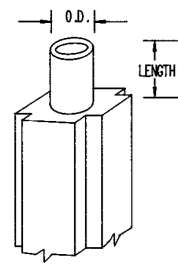
Cruciform	Aluminum	Shaft Dia. (at base)	Wall Thickness	Mounting Height (ft.)	Base Type	Finish	Fixture Mounting & Type	No. & Location of Arms	Arm Lengths	Accessories (Ground Lug)
CF	A	4	M	08	W	X	M	1	X	G

Mtg. Height (Ft.)	Catalog Number	Wall Thickness (In.)	Base Square (In.)	Shaft Size (In.)	Bolt Proj. (In.)	Bolt Circle Dia. (In.)	Anchor Bolt D x AB x H (In.)	Net. Wt. (Lbs.)	EPA At Pole Top (Sq. Ft.)	90	100	EPA (Sq. Ft.) 18" Above Pole Top	80	90	100	Max. Fixture Load—Include Bracket (Lbs.)
8	CFA4M08WX	.188	9 1/8	4	1 1/2	8 1/2	3/4 x 25 x 3	32	31.9	24.7	19.5	25.2	19.5	15.4	100	
10	CFA4M10WX	.188	9 1/8	4	1 1/2	8 1/2	3/4 x 25 x 3	39	23.9	18.2	14.2	19.7	15.1	11.7	100	
12	CFA4M12WX	.188	9 1/8	4	1 1/2	8 1/2	3/4 x 25 x 3	45	18.4	13.8	10.5	15.7	11.8	8.9	100	
15	CFA4M15WX	.188	9 1/8	4	1 1/2	8 1/2	3/4 x 25 x 3	55	10.0	7.2	5.1	8.8	6.3	4.5	100	
18	CFA4M18WX	.188	9 1/8	4	1 1/2	8 1/2	3/4 x 25 x 3	66	6.4	4.1	2.4	5.8	3.7	2.2	100	
18	CFA6M18WX	.188	12 13/16	6	2 1/4	13	1 x 36 x 4	104	20.2	14.5	10.4	18.1	13.0	9.3	100	
20	CFA4M20WX	.188	9 1/8	4	1 1/2	8 1/2	3/4 x 25 x 3	72	4.5	2.4	0.9	4.0	2.2	--	100	
20	CFA6M20WX	.188	12 13/16	6	2 1/4	13	1 x 36 x 4	115	16.0	11.0	7.4	14.5	10.0	6.7	150	
25	CFA6M25WX	.188	12 13/16	6	2 1/4	13	1 x 36 x 4	140	8.3	4.4	1.6	7.7	4.1	1.5	150	
25	CFA6X25WX	.250	12 13/16	6	2 1/4	13	1 x 36 x 4	181	13.9	8.9	5.2	12.9	8.2	4.8	150	
30	CFA6X30WX	.250	12 13/16	6	2 1/4	13	1 x 36 x 4	215	6.3	2.6	--	5.9	2.4	--	150	

NOTES: All 25' and greater luminaire mounting height lighting standards have a factory installed vibration damper. The above is our standard offering. Where higher EPA/wind speed capability or mounting height is required, other shaft dimensions and/or wall thickness are available. Consult P&K representative for pricing and lead times. The above EPA capacities are based upon the (1985) American Association of State Highway and Transportation Officials Specification. Catalog item includes one set of anchor bolts, single nuts and (2) leveling shims.

MOUNTING OPTIONS (add as suffix)

Fixed Tenon (square pole)



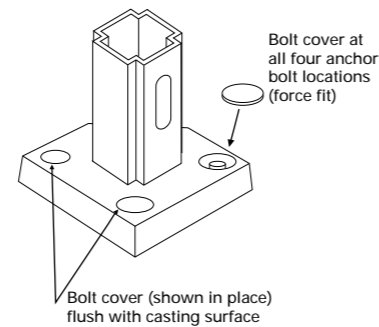
Designation Number	O.D. (In.)	Length (In.)
1	2 3/8	3 1/2
2	2 3/8	4
3	3 1/2	5
4	4	6
5	3	4

ACCESSORIES (order separately)

A=1/2" tapped hub¹
 B=3/4" tapped hub¹
 C=Convenience outlet²
 E=Convenience outlet (GFI type)²
 G=Grounding lug (max. wire #8 AWG)
 H=Additional handhole and cover—
 12" below pole top—90° from handhole.
 V=Damper

NOTES: ¹ Location is 3' above base-90° from handhole. ² Outlet is located 4' above base and on same side of pole as handhole, unless specified otherwise. Receptacle included.

BASE WITH HANDHOLE AND DOOR



Drilling for luminaires per manufacturer's template.

For details, drilling options, and locations of accessories, see Misc. catalog section.

Finish colors - anodize, paint or powder coat in a wide range of colors. See Misc. catalog section



P & K Pole Products, Inc.

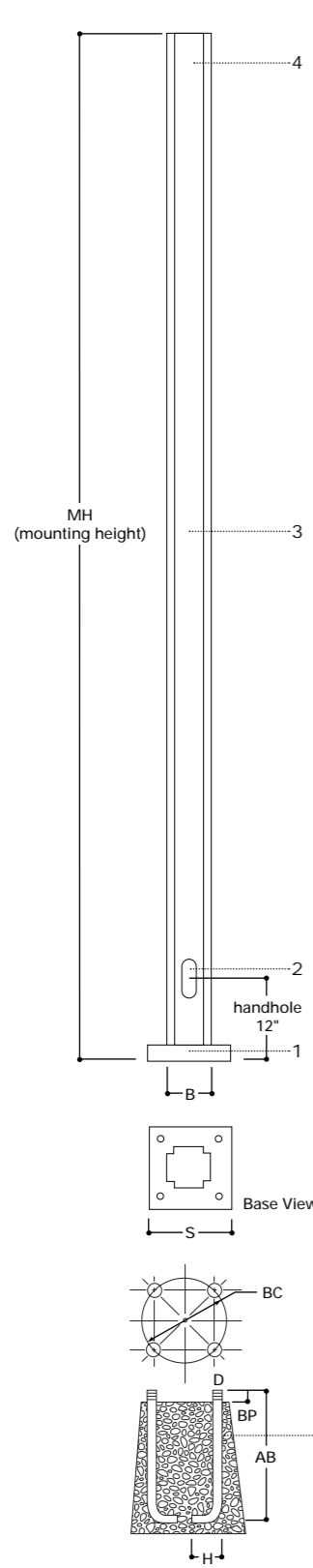
84 FOUNDRY STREET, NEWARK, NJ 07105 973/589-1500 FAX 973/589-8970

CFACRUCIFROM

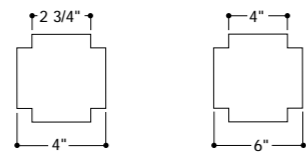
1 - 30' mounting Height

RUCIFORM

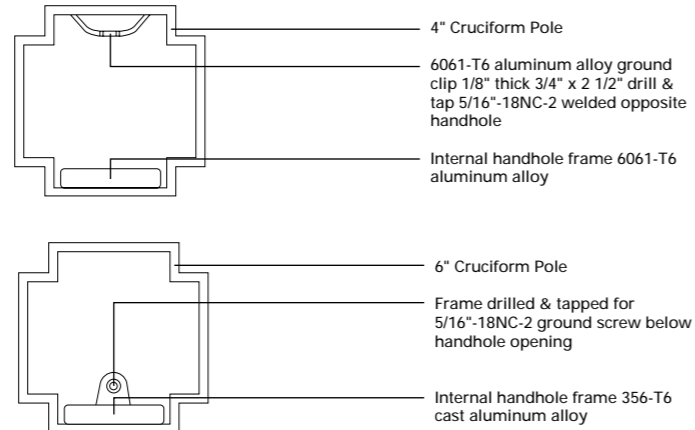
DETAILS
REFER TO CHART FOR DIMENSIONAL INFORMATION



POLE DIMENSIONS



HANDHOLE (section through standard handhole)



SPECIFICATIONS

- 1 ... 356-T6 cast aluminum alloy shoe base with aluminum alloy knock-in bolt covers.
- 2 ... 1 1/4" x 3" flush handhole assembly (4" shaft), 2" x 4 1/2" flush handhole assembly (6" shaft) with ground lug located opposite handhole opening drilled & tapped for 5/16" 18NC-2 grounding screw (for ground lug see detail above).
- 3 ... Cruciform shaft 6005-T5 aluminum alloy satin etch finish.
- 4 ... Drilled or Tenon (specify).
- 5 ... Anchor bolt per ASTM A576 with (1) nut, (1) flat washer, and (1) lock washer. Nuts, washers and threaded portion of bolt are hot dip galvanized.

DATA FOR BASES FOUR BOLT ANCHOR

Pole Sq.	Bolt Circle (In.) B	Bolt Proj. (In.) C	Bolt Dimension (In.) D&E	Handhole Size (In.)
4	8 1/2	1 1/2	3/4 x 25	1 1/4 x 3
6	13	2 1/4	1 x 36	2 x 4 1/2

NOTE: * Other finish colors available. Consult factory. For complete base information refer to section K.



& K Pole Products, Inc.
84 Foundry Street
Newark, NJ 07105

973/589-1500
FAX 973/589-8970

WWW.PKPOLE.COM